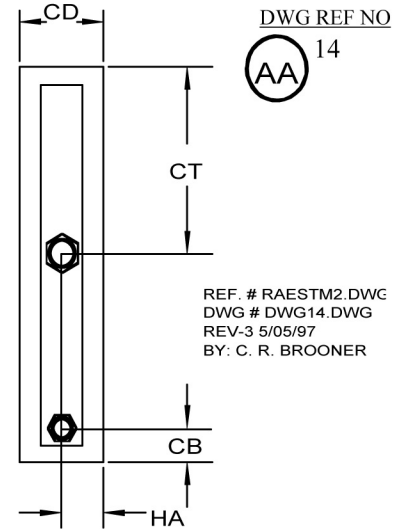
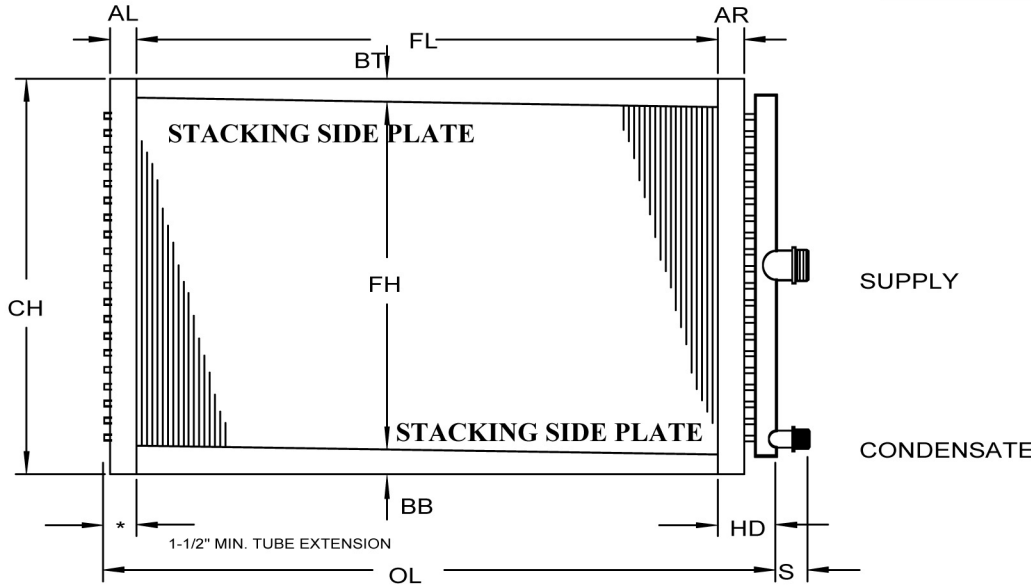




REPLACEMENT COIL DATA SHEET
 REP. NAME / PROJECT
 Heat Transfer Technology, Inc.

(1" STEAM DISTRIBUTING COIS)
 SAME END CONNECTIONS
 DWG. # / MODEL



RD FPI FH FL AL AR BT BB CH OL CD S HA HB CT CB HD

FIN = CORR
 FIN MATL = ALUM
 FIN THICKNESS = .008

CONNECTION MATL = COPPER
 SUPPLY CONNECTION =
 SUPPLY HDR. DIA. =
 RETURN CONNECTION =
 RETURN HDR. DIA. =
 CONNECTION TYPE = MPT

CASING GAGE = TS:16 SP:16
 CASING MATL. = GALV

HAND = R
 ITEM NO =
 COIL CIRCUITING =

DATE:

SALES PERSON: Ed Yamasaki

TUBE TYPE = 1.062
 TUBE THICKNESS = .035

NOTES: